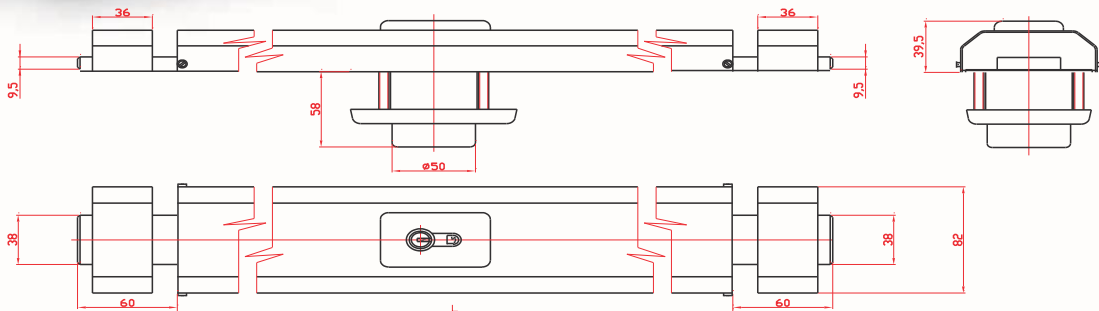


1101.41

Two point-of-contact Lock for surface mounting - BOLT



CODE	L	ПОКРИТИЕ - ЦВЯТ
1101.41600	600	W - WHITE B - BLACK F - FORGED COPPER G - GREY METALLIC
1101.41650	650	
1101.41700	700	
1101.41750	750	
1101.41800	800	
1101.41850	850	
1101.41900	900	
1101.41950	950	



Example: 1101.41850G - Surface Mounting Locks with two points of contact, dimensions 850, grey metallic plating

Application:

As an additional entrance door lock. The lock has two points of contact, attaching the door to the wall, thus turning the home into a fortified castle.

It has been designed to work in aggressive environments, with high risk of vandalism. The construction is highly reliable, built from high quality galvanized materials, designed to work flawlessly even after long spells of idleness.

Suitable for homes, offices, warehouses, country homes, and isolated facilities. The lock has a gear cam ensuring smooth operation when locking and unlocking. Coding is computer-set, and the 15 coding pins, located on three axles guarantee uniqueness.. There is tamper-proof protection. It can be included in Master systems.