

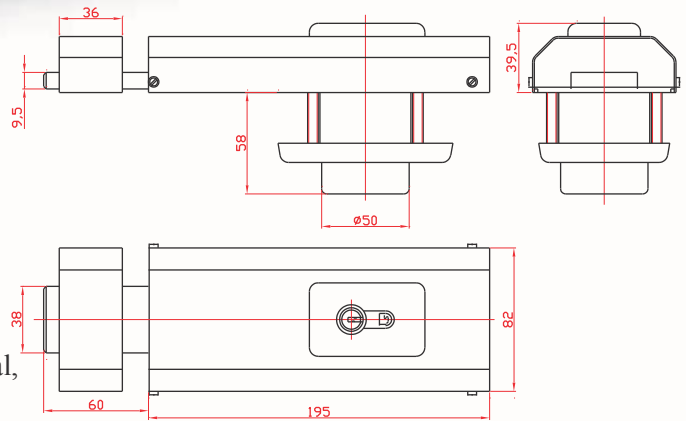
## 1101.21195

### Combination lock, single point of contact, surface mounting



CODE	DIMENSIONS	COLOUR OF PLATING
1101.21195	195	<b>W - WHITE</b> <b>B - BLACK</b> <b>F - FORGED COPPER</b> <b>G - GREY METALLIC</b>

**Example:** 1101.21195F – Combination lock, unilateral, size 195, forged copper plating



#### Application:

As basic or additional lock for entrance, wooden, metal, or PVC doors.

Designed to work in aggressive environment at high risk of vandalism. Very reliable construction, made of high quality galvanized steel guaranteed to work even after long spells of idleness. Suitable for warehouses, garages, country homes, isolated facilities. The lock has a gear cam ensuring smooth operation when locking and unlocking. Coding is computer-set, and the 15 coding pins, located on three axles guarantee uniqueness.. There is tamper-proof protection. It can be included in Master systems.